

Base Plate Connector Clamps

Aluminum, with Grub Screw

SPECIFICATION

Identification no.

No. **3**: With stainless steel grub screw DIN 913

Aluminum

- Powder coated
Black, RAL 9005, textured finish **SW**
- Plain, matte shot-blasted **BL**

Grub screw DIN 913

Stainless steel AISI 304

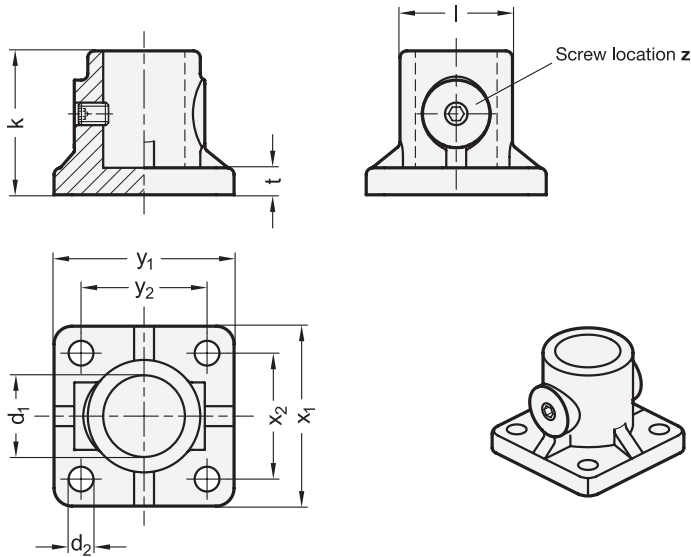
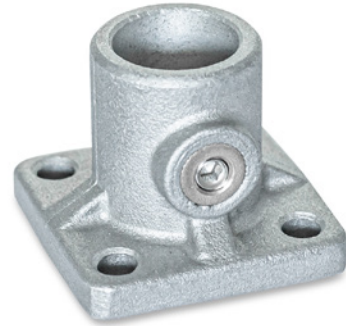
INFORMATION

The clamping bore of base plate connector clamps GN 162.8 is not machined and designed for GN 990 (see page 1902) or DIN 2391, DIN 2395 and DIN 2462 construction tubes.

At the screw location **z** a grub screw reduces the bore cross-section for clamping.

TECHNICAL INFORMATION

- Stainless Steel Characteristics (see page A26)



GN 162.8

Description	d1	d2	k	l	t	x1	x2	y1	y2	z Screw location	⚖
GN 162.8-B10-3-BL	B 10	5.5	32	25	6	40	28	40	28	M6-6	52
GN 162.8-B10-3-SW	B 10	5.5	32	25	6	40	28	40	28	M6-6	52
GN 162.8-B12-3-BL	B 12	5.5	32	25	6	40	28	40	28	M6-6	50
GN 162.8-B12-3-SW	B 12	5.5	32	25	6	40	28	40	28	M6-6	50
GN 162.8-B14-3-BL	B 14	5.5	32	25	6	40	28	40	28	M6-6	48
GN 162.8-B14-3-SW	B 14	5.5	32	25	6	40	28	40	28	M6-6	48
GN 162.8-B15-3-BL	B 15	5.5	32	25	6	40	28	40	28	M6-6	47
GN 162.8-B15-3-SW	B 15	5.5	32	25	6	40	28	40	28	M6-6	47
GN 162.8-B16-3-BL	B 16	5.5	32	25	6	40	28	40	28	M6-6	42
GN 162.8-B16-3-SW	B 16	5.5	32	25	6	40	28	40	28	M6-6	42
GN 162.8-B18-3-BL	B 18	5.5	32	25	6	40	28	40	28	M6-6	38
GN 162.8-B18-3-SW	B 18	5.5	32	25	6	40	28	40	28	M6-6	38